

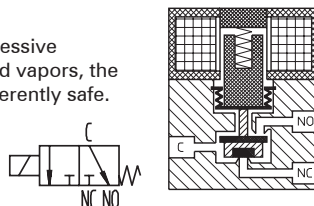
### Type QE 693

3-way solenoid valve switching function, with bellow separation



#### Application

Neutral and aggressive liquids, gases and vapors, the materials are inherently safe.



Type/ Order No.	Orifice [mm]	Port size	Pressure range [bar]		kv-value [m³/h]	Weight [kg]
			AC	DC		
QE 693-003	3,0	1/8"- NPT	0 - 1	0 - 1	0,03	0,390
QE 693-004	4,0	1/8"- NPT	0 - 1	0 - 1	0,05	0,390
QE 693-005	5,0	1/8"- NPT	0 - 1	0 - 1	0,11	0,390

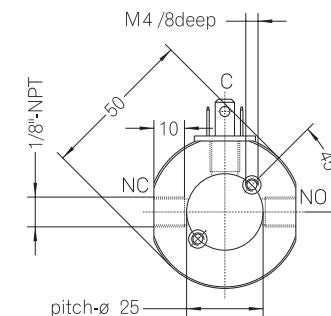
Sealing material: Z (FFPM)

Body material: PTFE  
 Inner parts: PTFE  
 Mounting direction: Free, preferred upwards  
 Max. ambient temp.: 50 °C  
 Viscosity of the medium: max. 21 mm²/s (3 °E)  
 Static pressure: max. 1 bar  
 Standard voltage: DC: 24, 12 V  
 AC: 230 V, 115 V, 42 V, 24 V, 12 V (50 or 60 Hz)

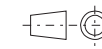
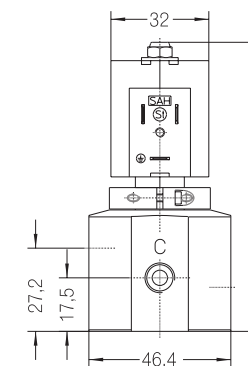
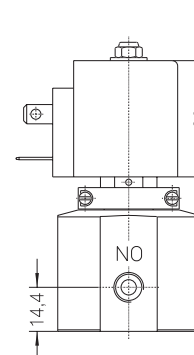
Power consumption: 11 VA / 8 W  
 Voltage tolerance: -15%... +10%  
 Duty cycle: 100 %  
 Operating frequency: max. 300/min  
 Degree of Protection: IP 54 (EN 60529)  
 Internal circuit for AC: Y

260

Other configurations upon request



The right to modification is reserved



Dimensions in mm

261